

RTM-C, CL, CS

Flat-Panel Mount Adapters

The Premier Mounts RTM-C is a multi-purpose ceiling adapter for use with our Rotary Series™. Perfect for flat-panel digital signage applications, the RTM-C offers an incredible 20° of downward tilt, 25° upward tilt and 360° rotation. Plus, it can be ordered separately as the RTM-C, or as a pre-built RTM-CL combination (for 37"– 61" displays) or RTM-CS combination (for 26"– 37" displays). Regardless of which RTM-C works best for a particular application, they all mate with standard 1 1/2" NPT or any of our 1 1/2" adjustable-height suspension adapters.

- Multiple configuration options
- 20° of downward tilt
- 25° upward tilt
- 360° screen rotation
- Mates with standard 1 1/2" NPT or any of our 1 1/2" adjustable-height suspension adapters
- Lifetime warranty
- Color: Black

Model	Display Size	Max. Wt.
RTM-C	Bracket Only	
RTM-CS	26"-37"	125 lbs. (57 kgs.)
RTM-CL	37"-61"	160 lbs. (73 kgs.)

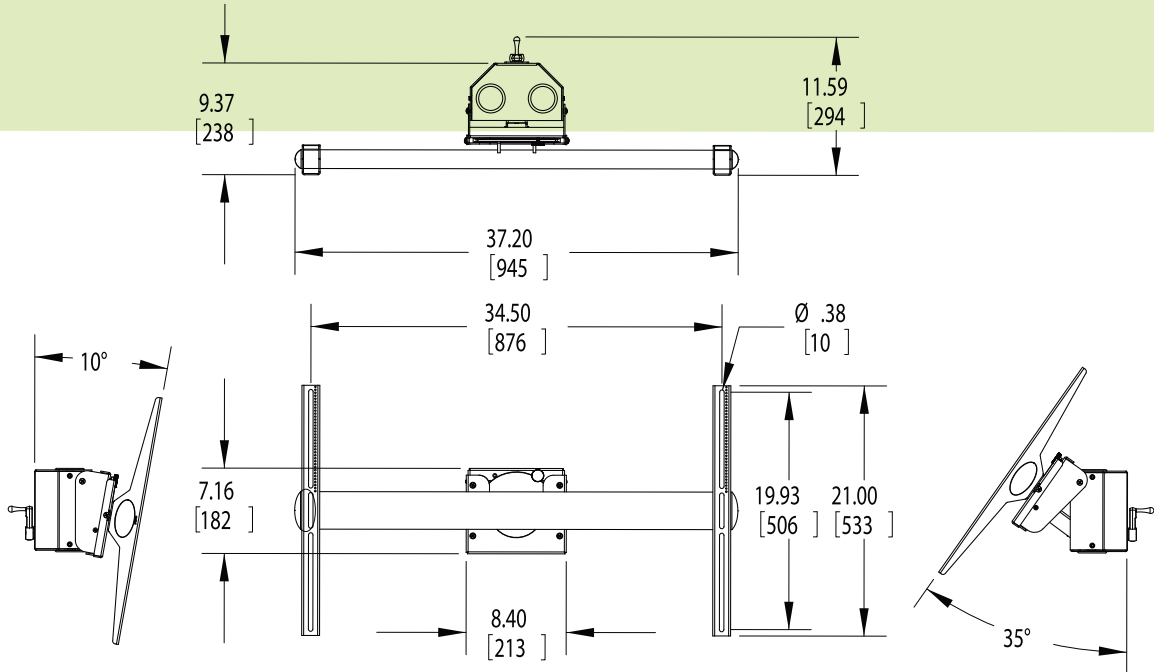


RTM-C Bracket



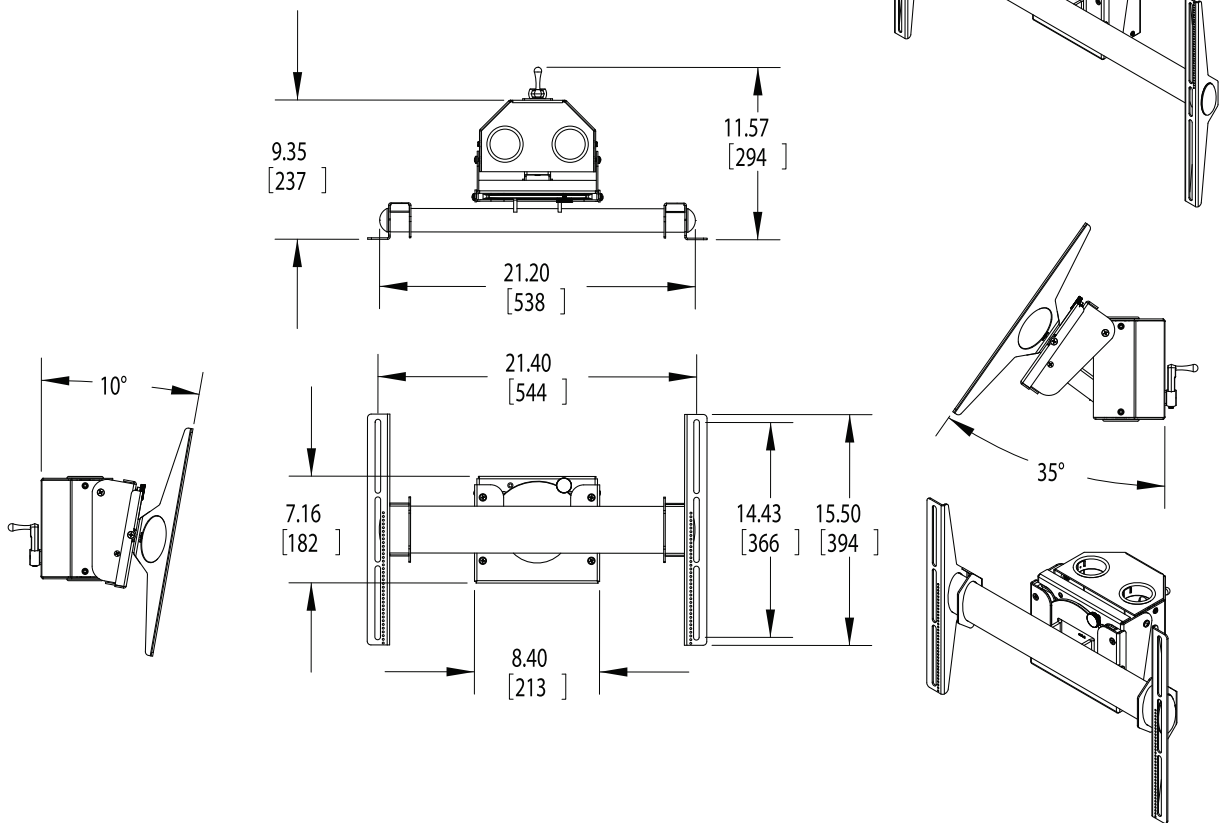
RTM-CS mated to AST-2446 pole (optional)

SPECIFICATIONS



RTM-L

RTM-S



Dimensions are in inches and millimeters [mm].
Drawings are subject to change without notice.

800.368.9700 | www.mounts.com

